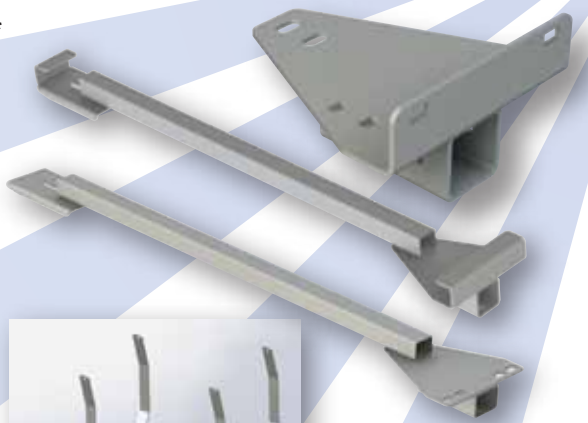


Receivers

Description	Hot Dipped Galvanized Part #	GalvX Dual Coat* Part #
Clamp Receiver with Cross Beam (4 ft. wide docks) Includes one clamp receiver with cross beam	86918	86900
Slotted Receiver with Cross Beam (4 ft. wide docks) Includes one slotted receiver with cross beam	86919	86901
Cross Beam 28" Extension Extends 4 ft. cross beams for use with 6' wide docks	86934	86916
Slotted Receiver Includes one slotted receiver	86920	86902



Accessories

Single Kayak Rack Includes two towers and racks, requires two receivers	86921	86903
Vertical Kayak Rack Includes two towers and racks, requires two receivers	86922	86904
Horizontal Kayak Rack Includes two towers and racks, requires two receivers	86923	86905
Canoe Rack Includes two towers and racks, requires two receivers	86924	86906
Dock Box Mount Attachment Includes two box attachment mounts, requires two receivers	86925	86907
Outdoor Entertainment Center Includes one tower, support structure, requires one receiver	86926	86908
Rod Holder Includes one tower and support structure, requires one receiver	86927	86909
Bench Requires two receivers	86928	86910
Mounting Base - Stand Requires one receiver	86929	86911
Mounting Base - Magma Grill Dual Requires one receiver	86930	86912
Mounting Base - Magma Grill Kettle Requires one receiver	86931	86913
Mounting Base - Magma Grill Single Requires one receiver	86932	86914
Mounting Base - Magma Table Dual Requires one receiver	86933	86915
Mounting Base - Force 10 Grill Mount Requires one receiver	86935	86917



*GalvX Dual Coat is suitable for use with aluminum docks.

Dock Sides 2013

by TIE DOWN ENGINEERING

Dock Products That Make Your Dock A Destination



Before



After



Marine Aftermarket Division
TIE DOWN ENGINEERING

www.tiedown.com
255 Villanova Drive SW • Atlanta, Georgia 30336
800-241-1806 • 404-344-0000 • Fax 404-349-0401
ISO 9001:2008 Registered Firm Certificate No. A3339US
©2012 TIE DOWN, Inc.



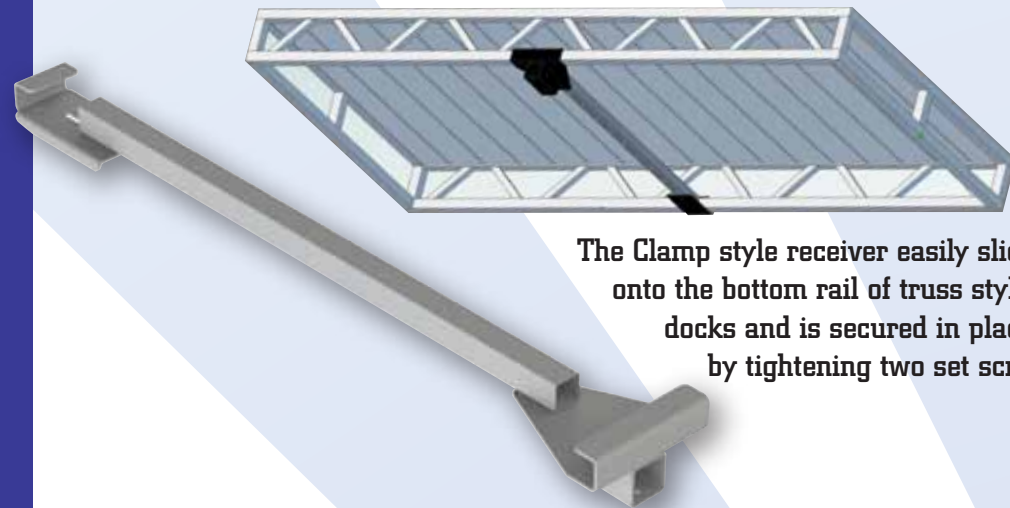
Dock Sides

090412_A1259

Dock Sides Receivers

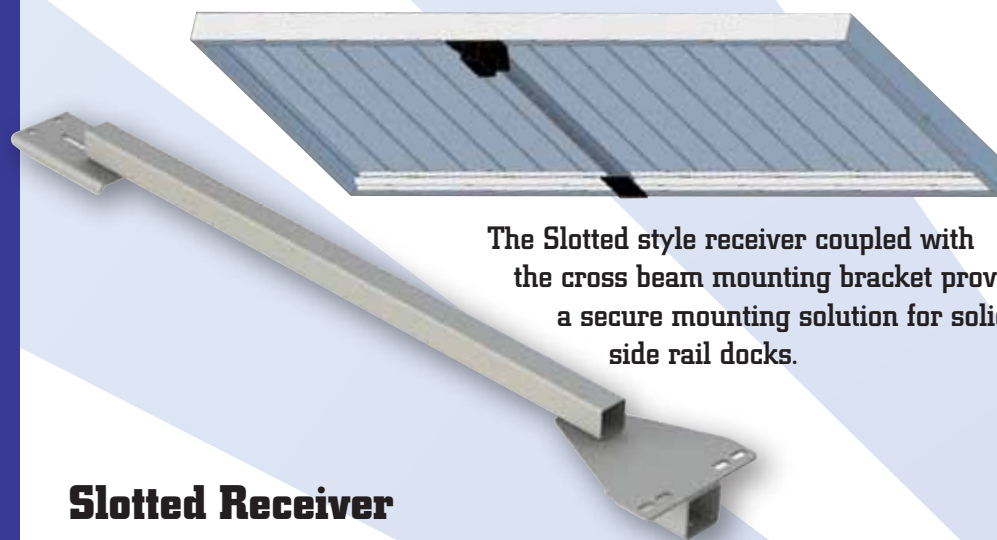
The Dock Side Receiver is the key component of the Dock Sides System. Locating the receiver under the dock or deck allows placement of the attachments beside it. These locations free up valuable space and reduce clutter. The Dock Sides Receiver is completely out of the way and nearly invisible when the Dock Sides attachments are not in use.

Clamp Receiver With Cross Beam



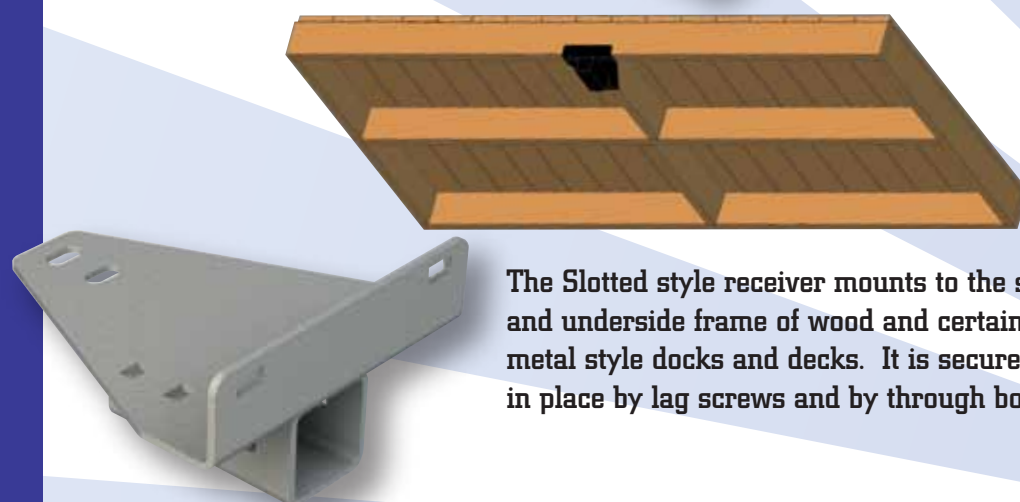
The Clamp style receiver easily slides onto the bottom rail of truss style docks and is secured in place by tightening two set screws.

Slotted Receiver With Cross Beam



The Slotted style receiver coupled with the cross beam mounting bracket provides a secure mounting solution for solid side rail docks.

Slotted Receiver



The Slotted style receiver mounts to the side and underside frame of wood and certain metal style docks and decks. It is secured in place by lag screws and by through bolts.

Dock Sides Accessories

Corrosion Protection

All Dock Side components are available in either a Hot Dipped Galvanized or a premium GalvX Dual Coat finish.

- Hot Dipped Galvanization provides time proven corrosion protection for metal components even in the harshest salt water conditions.
- GalvX Dual Coat is a combination of an inner layer of high performance epoxy technology with state-of-the-art corrosion resistance (ASTM B117) and an outer layer of electrostatically applied powder coat providing a hard finish which is tougher than conventional paint. GalvX Dual Coat is suitable for use with aluminum docks.

These finishes are designed to provide great looks while resisting the long term effects of sun and weather.

Kayak Racks

Single and Dual Kayak Racks offer a convenient method to store up to two kayaks alongside your dock with easy launching and retrieval. Kayaks are securely stored where you want them without sacrificing valuable dock space.



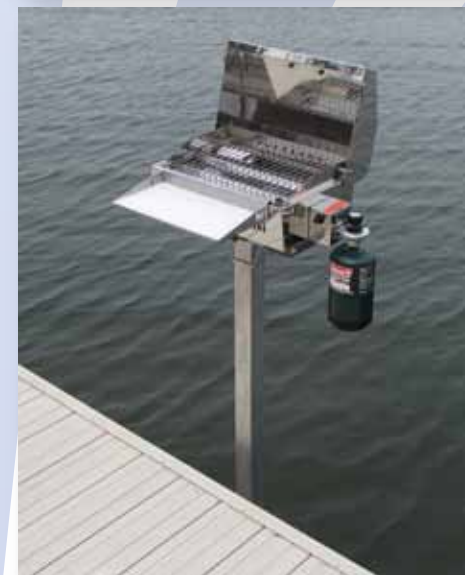
Canoe Racks

The Dock Sides Canoe Rack provides secure and convenient storage for a canoe. The location of the rack offers secure storage for a single canoe. Canoe stores upside down and tie down points in the rack allow it to be secured with straps or cords.



Grill Stands and Mounting Bases

Dock Sides Grill Stands and Mounting Bases provide convenient, secure and safe stands for connecting your favorite grill to the dock or deck. A Dock Side Receiver and the Grill Stand place your grill where you want it and near the fun. Dock Sides offers multiple Mounting Base options that allow use of the popular grill brands.



Dock Box Mounts

Dock Box Mount Attachments provide a sturdy mounting platform for easily adding a storage box to your dock without taking up space or blocking movement up and down the dock and finger piers.



Outdoor Entertainment Center

The Outdoor Entertainment Center provides the perfect compliment for outdoor gatherings on the dock or deck. The entertainment center offers the convenience of cold storage, prep and cutting surfaces along with beverage holders.



Dock Side Bench

The Dock Side Bench provides seating for your dock or deck without taking up valuable surface area.



Dock Side Mounting Base

The Mounting Base provides a sturdy mounting platform for easily adding an umbrella or solar shower to your dock or deck.

